

BAP2400-65-18D 2400MHz Wireless Access Antenna

ELECTRICAL SPECIFICATIONS

Frequency range	2300-2500MHz
Gain	18dBi
Polarization	Vertical
Gain Variation	0.5 dB
Vertical plane -3dB beamwidth	8°
Horizontal plane -3dB beamwidth	65°
First upper sidelobe suppression	17dB
Return loss	≥14dB
Front to back ratio	≥30dB
Max CW power per port	100W
Impedance	50Ω
Electrical downtilt	1°
Downtilt Accuracy	±0.5°
IMD performance	≤150dBc
Connector type	DIN 7/16F

MECHANICAL SPECIFICATIONS

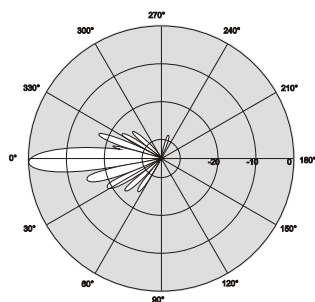
Rated wind speed	200km/hr
Dimensions H x W x D	1216 x 153 x 86mm
Packed size H x W x D	1285 x 290 x 240mm
Weight (with mounting hardware)	9kg
Operating temperature	Min -30°C Max +60 °C
Radome material	FRP

FEATURES

- Materials:** All internal parts corrosion resistant.
All antenna fasteners stainless steel.
Bracket assemblies stainless steel.
Radome surface treated for maximum UV protection.
- Mounting:** Available with either fixed brackets (non-adjustable) or mechanically adjustable bracket assemblies. Please specify when ordering.
- Grounding:** Lower bracket assembly DC ground.
- Connections:** Remote control electrical downtilt connections are in accordance with AISG the standards.



Vertical Pattern



Horizontal Pattern

