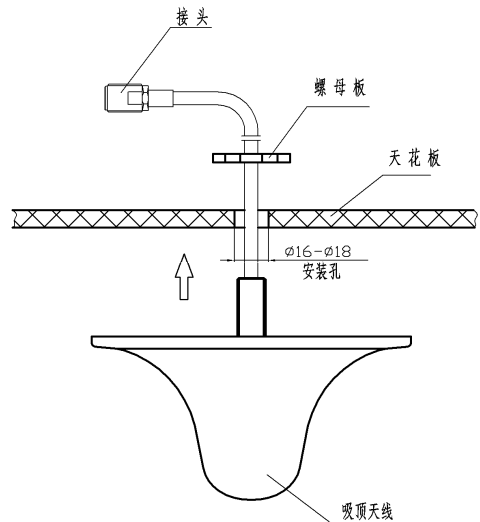


## Trunked Radio Low Profile Antenna IA-101N 400/800 MHz Bands

Item	Specifications
<b>ELECTRICAL SPECIFICATIONS</b>	
Frequency Range	380—460 MHz /806-863 MHz
Bandwidth	60 MHz
Gain	2 dBi +/- 1 dB
Return Loss	10 dB at low band,12 dB at high band
Nominal Impedance	50 Ohm
Polarisation	Vertical
Max Power	50 W

<b>MECHANICAL SPECIFICATIONS</b>	
Size	Φ140×93 mm
Weight	380 g
Color	Milky White
Connector	N-F



	Name	Date	Type.	<b>IA-101N</b>	S/N:		
Edit		070530	Nam		Wide Band Tetra Low-profile Antenna	Version	1.0
Check					Page 1 of 1		
Confirm			<b>specifications</b>			<b>EYECOM</b>	