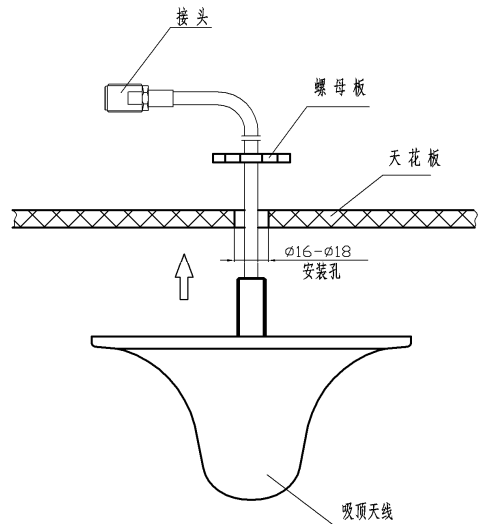


Trunked Radio Low Profile Antenna IA-101B 400-480MHz

Item	Specifications
ELECTRICAL SPECIFICATIONS	
Frequency Range	410—430 MHz /806-869 MHz
Bandwidth	70 MHz
Gain	2 dBi
VSWR	≤2.0 :1, ≤2.5:1 at band edges
Nominal Impedance	50 Ohm
Polarisation	Vertical
Max Power	50 W

MECHANICAL SPECIFICATIONS	
Size	Φ260×150 mm
Weight	380 g
Color	Milky White
Connector	N-F



	Name	Date	Type.	IA-101C	S/N:		
Edit		061210	Nam		Wide Band Tetra Low-profile Antenna	Version	1.0
Check					Page 1 of 1		
Confirm			specifications			EYECOM	