

# BAP2100-65S-17D 2100MHz Dual Pol. Slant Antenna

## ELECTRICAL SPECIFICATIONS

Frequency range	1910-2170 MHz	
Gain	17dBi	
Polarization	Dual, slant $\pm 45^\circ$	
Isolation between ports	$\geq 30$ dB	
First upper sidelobe suppression	18dB	
Return loss	$\geq 17.7$ dB	
Front to back ratio	$\geq 30$ dB	
Max CW power per port	250W	
Vertical plane -3dB beamwidth	6.9°	
Horizontal plane -3dB beamwidth	65°	
Vertical plane -10dB beamwidth	11.7°	
Horizontal plane -10dB beamwidth	123°	
Cross polar ratio	Main direction	$\geq 22$ dB
	Sector $\pm 30^\circ$	$\geq 17$ dB
	Sector $\pm 60^\circ$	$\geq 10$ dB
Impedance	50Ω	
IMD performance (2 x 43 dBm)	$\leq 150$ dB c	
Fixed electrical downtilt	2°	
Connector type	DIN 7/16F	

## MECHANICAL SPECIFICATIONS

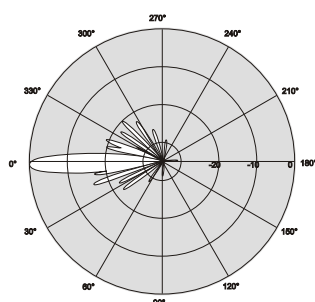
Dimensions H x W x D	1216 x 153 x 86mm	
Packed size H x W x D	1285 x 290 x 240mm	
Rated wind speed	200km/hr	
Loading at rated wind speed	Front	310N
	Side	174N
Weight (with mounting hardware)	4.5kg	
Operating temperature	Min -30°C Max +60 °C	
Radome material	FRP	

## FEATURES

- Materials: All internal parts corrosion resistant.  
All antenna fasteners stainless steel.  
Bracket assemblies stainless steel.  
Radome surface treated for maximum UV protection.
- Mounting: Available with either fixed brackets (non-adjustable) or mechanically adjustable bracket assemblies. Please specify when ordering.
- Grounding: Lower bracket assembly DC ground.



Vertical Pattern



Horizontal Pattern

