

## BAP1800-65S-17DRE 1800MHz Dual Pol. Slant Antenna.

### ELECTRICAL SPECIFICATIONS

Frequency range	1710-1880MHz
Gain	16.5dBi
Polarization	Dual, slant $\pm 45^\circ$
Isolation between ports	$\geq 30$ dB
Vertical plane -3dB beamwidth	$8^\circ$
Horizontal plane -3dB beamwidth	$65^\circ$
First upper sidelobe suppression	18dB
Return loss	$\geq 17$ dB
Front to back ratio	$\geq 30$ dB
Max CW power per port	150W
Impedance	50 $\Omega$
Electrical downtilt range	1-10 $^\circ$
Downtilt Accuracy	$\pm 0.5^\circ$
IMD performance	$\leq 150$ dBc
Connector type	DIN 7/16F

### MECHANICAL SPECIFICATIONS

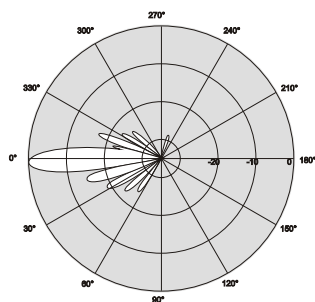
Rated wind speed	200km/hr
Dimensions H x W x D	1216 x 153 x 86mm
Packed size H x W x D	1285 x 290 x 240mm
Weight (with mounting hardware)	9kg
Operating temperature	Min -30 $^\circ$ C Max +60 $^\circ$ C
Radome material	FRP

### FEATURES

- Materials:** All internal parts corrosion resistant.  
All antenna fasteners stainless steel.  
Bracket assemblies stainless steel.  
Radome surface treated for maximum UV protection.
- Mounting:** Available with either fixed brackets (non-adjustable) or mechanically adjustable bracket assemblies. Please specify when ordering.
- Grounding:** Lower bracket assembly DC ground.
- Connections:** Remote control electrical downtilt connections are in accordance with AISG the standards.



Vertical Pattern



Horizontal Pattern

